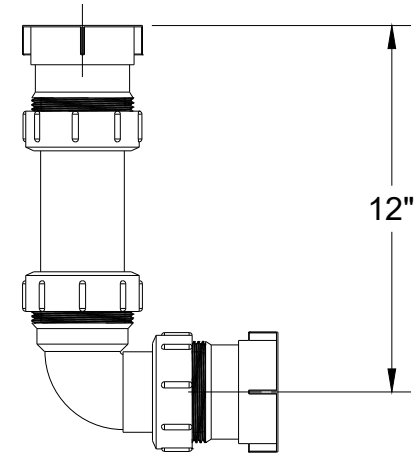


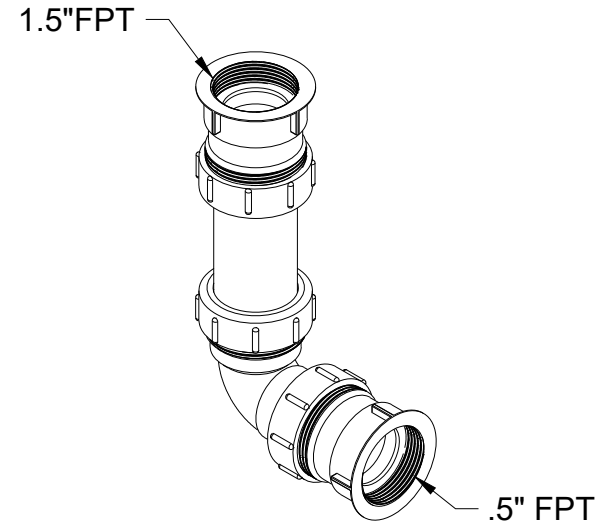
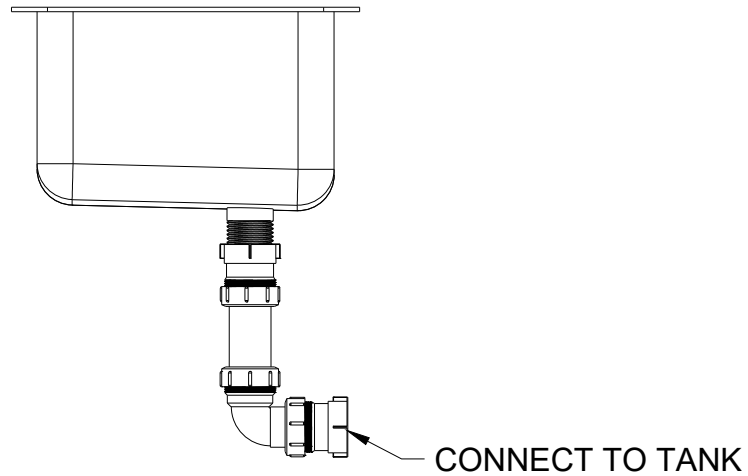
ENGINEERING SPECIFICATIONS: Tanks should be of seamless construction, rotationally molded in the USA from HD polypropylene conforming to ASTM D-1998-6 and ASTM D4976. The inside bottom of tank shall be flat with no recessed areas where acid waste or other contaminants can pool. Tanks will be manufactured by Scientific Plastics, Inc. of Kansas city KS USA.

NOTES:

- Assembly reference: Compression fittings are to be handtight only, all dimension's are in inches and all threading is NPT.
- Tank must be supported from the bottom.
- Water level must be maintained above bottom of inlet tube to provide vapor barrier.



SINK IS NOT INCLUDED



**SCIENTIFIC PLASTICS**  
 1016 SOUTHWEST BLVD  
 KANSAS CITY KS 66103  
 (913)-432-0322  
 (913)-432-0459

DEPT.  
**TANKS**

DESCRIPTION

1.5" INSTALLATION KIT FOR W32505-150

SP PART #

W38525-150 USP STD

SCALE

1:10

REV

SHEET 1/1

DRAWN BY: Philip Llamas

3/2/2023

CHECKED

APPROVED